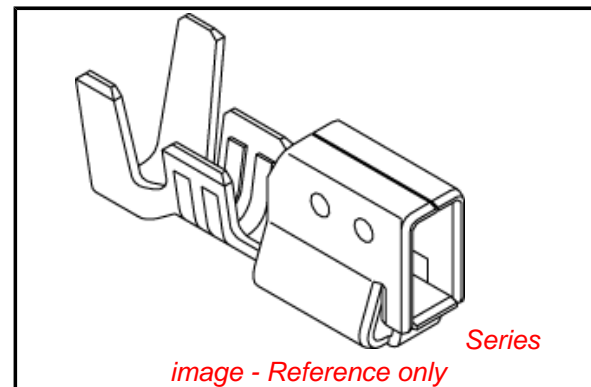


**PLEASE CHECK WWW.MOLEX.COM FOR LATEST PART INFORMATION**

**Part Number:** **0502179001**  
**Status:** **Active**  
**Description:** 3.50mm (.138") Pitch Crimp Terminal 50217, 18-24 AWG, Reel, Brass

**Documents:**

<a href="#">3D Model</a>	<a href="#">Product Specification PS-51067-016 (PDF)</a>
<a href="#">Drawing (PDF)</a>	<a href="#">Product Specification PS-51067-017 (PDF)</a>
<a href="#">Product Specification PS-51067-001 (PDF)</a>	<a href="#">Product Specification PS-51067-019 (PDF)</a>
<a href="#">Product Specification PS-51067-002 (PDF)</a>	<a href="#">Product Specification PS-51067-020 (PDF)</a>
<a href="#">Product Specification PS-51067-005 (PDF)</a>	<a href="#">Product Specification PS-51067-021 (PDF)</a>
<a href="#">Product Specification PS-51067-007 (PDF)</a>	<a href="#">RoHS Certificate of Compliance (PDF)</a>
<a href="#">Product Specification PS-51067-008 (PDF)</a>	



**General**

Product Family	Crimp Terminals
Series	50217
Crimp Quality Equipment	Yes
Product Name	N/A

**Physical**

Gender	Female
Material - Metal	Brass
Material - Plating Mating	Tin
Material - Plating Termination	Tin
Packaging Type	Reel
Plating min: Mating (µm)	35
Plating min: Mating (µm)	0.88
Plating min: Termination (µm)	35
Plating min: Termination (µm)	0.88
Termination Interface: Style	Crimp or Compression
Wire Insulation Diameter	1.40-3.00mm (.055-.118")
Wire Size AWG	18, 20, 22, 24
Wire Size mm <sup>2</sup>	N/A

**Material Info**

**Reference - Drawing Numbers**

Product Specification	PS-51067-001, PS-51067-002, PS-51067-005, PS-51067-007, PS-51067-008, PS-51067-016, PS-51067-017, PS-51067-019, PS-51067-020, PS-51067-021, RPS-35156-002, RPS-35156-003, RPS-35156-101, RPS-51067-002, RPS-51067-003, RPS-51067-015, RPS-51067-020, RPS-51067-021, RPS-51067-022, RPS-51067-023, RPS-51067-025, RPS-51067-028, RPS-51067-031, RPS-51067-032, RPS-51067-035, RPS-51067-037, RPS-51067-040, RPS-51067-041
Sales Drawing	SD-50217-****

**EU RoHS**

**ELV and RoHS Compliant**  
**REACH SVHC Contains SVHC: No**  
**Halogen-Free Status**

**China RoHS**



**Need more information on product environmental compliance?**

Email [productcompliance@molex.com](mailto:productcompliance@molex.com)  
 For a multiple part number RoHS Certificate of Compliance, [click here](#)

Please visit the [Contact Us](#) section for any non-product compliance questions.

**Search Parts in this Series**

50217Series

**Mates With**

50419

**Use With**

51067

**Application Tooling | FAQ**

*Tooling specifications and manuals are found by selecting the products below. Crimp Height Specifications are then contained in the Application Tooling Specification document.*

**Global**

Description	Product #
Hand Crimp Tool, UL Approved	0638118300
T2 Terminator Die, Large Insulation	0638503000
T2 Terminator Die, Small Insulation	0638503100

FineAdjust™ Applicator, Small Insulation	<u>0638603100</u>
FineAdjust™ Applicator, Large Insulation	<u>0638603000</u>

**Japan**

<b>Description</b>	<b>Product #</b>
--------------------	------------------

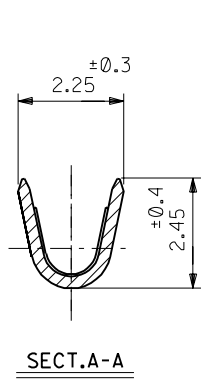
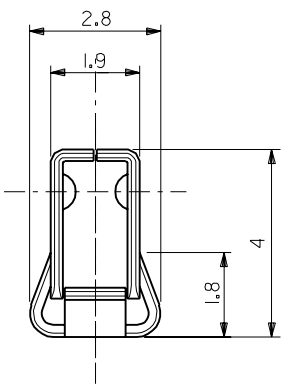
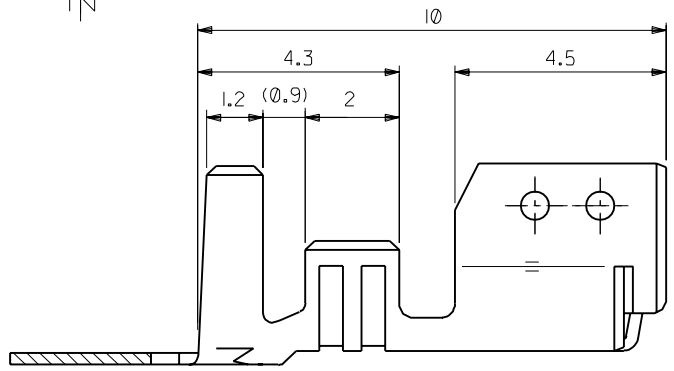
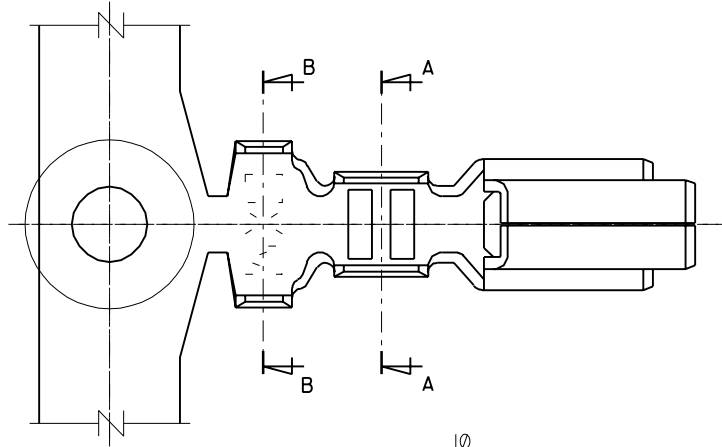
Applicator for M211A Bench Press, 18-24 AWG, for 50217 and 50539 Crimp Terminal	<u>0571833000</u>
Side-Feed Applicator For Full-Auto Machine	<u>0571833200</u>

This document was generated on 04/15/2010

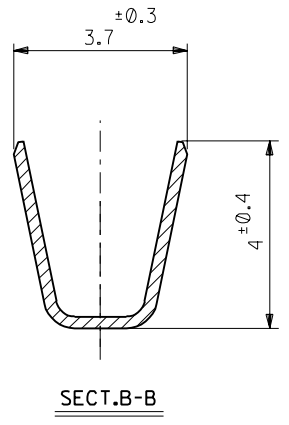
**PLEASE CHECK [WWW.MOLEX.COM](http://WWW.MOLEX.COM) FOR LATEST PART INFORMATION**

DIMENSIONS IN METRIC DO NOT SCALE DRAWING

ENG. NO. SD-50217-\*\*\*\*  
EDP NO.



SECT.A-A

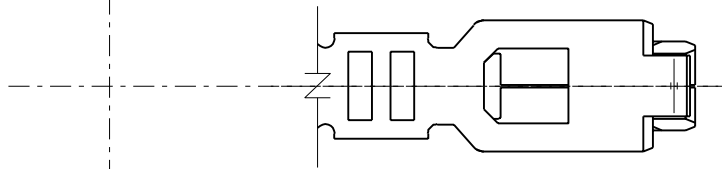


SECT.B-B

注記

1. 適合ハウジング：51067-\*\*\*00

リン青銅，錫メッキ (+ = 0.254)	50217-8100	バラ状
	50217-8000	連鎖状
黄銅，錫メッキ (+ = 0.254)	50217-9101	バラ状
	50217-9001	連鎖状
材 料	ENG. NO.	端子形状



角度 ANGLE	±3°				
30以上 OVER	+0.3	A	変更 (J00226)	90-2-28	
10以上 30未満 UNDER	+0.25	0	新規作成 (J91079)	89-12-19	
10未満 UNDER	+0.2	記号 LTR	変更内容 REVISION RECORD	DR. CHK. DATE	
一般公差 GENERAL TOLERANCES		REVISE ONLY ON CAD SYSTEM			

材料 MATERIAL	—
仕上げ FINISH	—
適用電線範囲 WIRE RANGE	AWG #18 ~ #24
被覆外径 INS. RANGE	φ 1.4 ~ φ 3.0
DRAWN BY	'89-12-19 K.ASAKAWA
CHK'D BY	'90/11/15 M.FUKUSHIMA
APP'D BY	'90/11/15 M.ENOMOTO
尺 度 SCALE	—

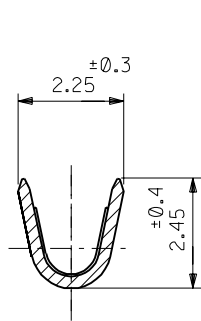
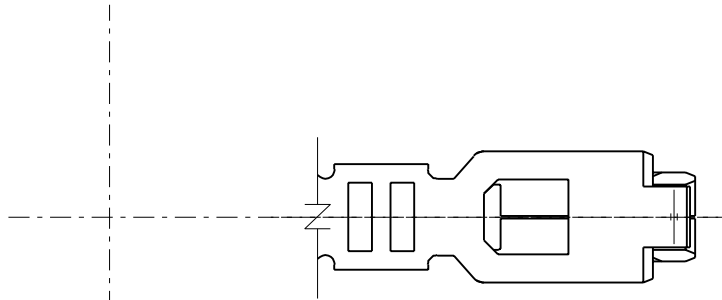
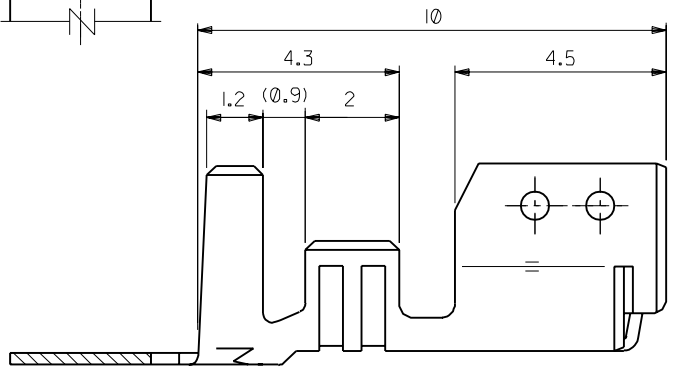
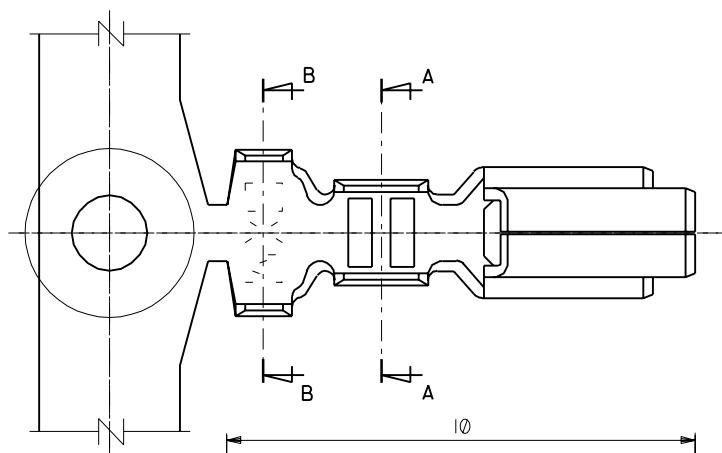
MOLEX MOLEX-JAPAN CO.,LTD. 日本モレックス株式会社
EDP. NO.
ENG. NO. SD-50217-****
TITLE 名称 3.5 WIRE TO BOARD CONN. CRIMP RECEPTACLE

REV A
----------

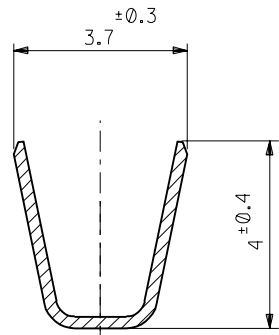
THIS DRAWING CONTAINS INFORMATION THAT IS PROPRIETARY TO MOLEX(JAPAN) AND SHOULD NOT BE USED WITHOUT WRITTEN PERMISSION  
本図面は日本モレックス(株)の所有する情報を含むもので 当社の許可なく複製を禁止する。

ENG. NO. SD-50217-\*\*\*\*  
EDP NO.

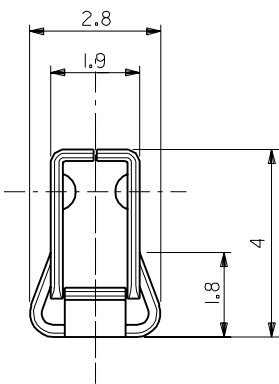
MM DIMENSIONS IN METRIC DO NOT SCALE DRAWING



SECT.A-A



SECT.B-B



NOTES

1. APPLICABLE HOUSING :51067-\*\*\*0

PHOS. BRO. PRE-TINNED (t=0.254)	50217-8100	LOOSE
	50217-8000	CHAIN
BRASS PRE-TINNED (t=0.254)	50217-9101	LOOSE
	50217-9001	CHAIN
MATERIAL	ENG. NO.	FORM

材料 MATERIAL	REFER TO CHART
仕上げ FINISH	—
適用電線範囲 WIRE RANGE	AWG#18~#24
被覆外径 INS. RANGE	φ 1.4 ~ φ 3.0
DRAWN BY	CHK'D BY
S.AIHARA	M.FUKUSHIMA
APP'D BY	DATE
M.ENOMOTO	90/11/15

**molex** MOLEX-JAPAN CO.,LTD.  
日本モレックス株式会社

EDP. NO.

ENG. NO. SD-50217-\*\*\*\*

TITLE 名称  
3.5 WIRE TO BOARD CONN.  
CRIMP RECEPTACLE

角度 ANGLE	±3°
30以上 OVER	+0.3
10以上 30未滿 UNDER	+0.25
10未滿 UNDER	+0.2
一般公差 GENERAL TOLERANCES	

REVISION RECORD

記号 LTR	変更内容 REVISION RECORD	DR. CHK.	日付 DATE
A	REVISED (J01176)	S.A	90/11/14
0	PROPOSED (J91079)	S.A	89/12/18

THIS DRAWING CONTAINS INFORMATION THAT IS PROPRIETARY TO MOLEX(JAPAN) AND SHOULD NOT BE USED WITHOUT WRITTEN PERMISSION  
本図面は日本モレックス(株)の所有する情報を含むもので 当社の許可なく複製を禁止する。